



- **Smallest DALI modul for 100VAC to 240VAC, for up to 50 DALI members.**
- **Smallest power consumption 3 Watts max.**
- **Simply operate with Casambi.**

The DALI module LIGA.AIR.DALI.240 is directly controlled by the Casambi app.

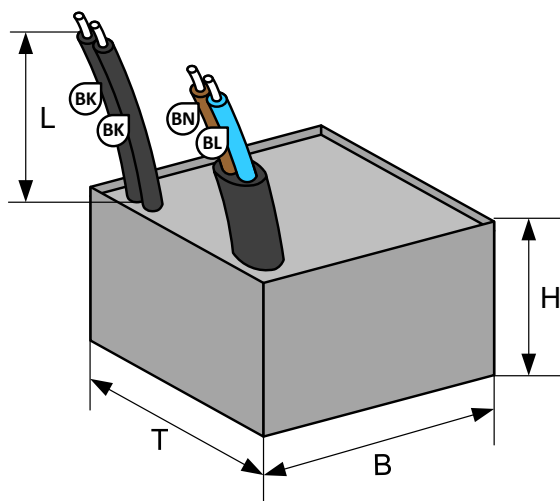
The module is directly connected to 100-240 VAC line voltage.

The DALI-BUS output has a capability to drive an output current up to 100mA.

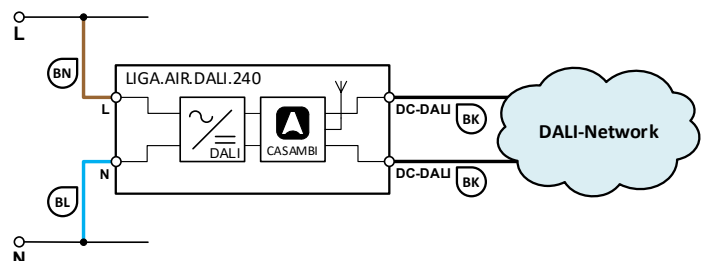
The module is capsuled in a black ABS housing with the dimensions of 38 x 38 x 26mm.

The extremely compact design of the housing allows an easy installation in flush-mounted boxes or in a cable duct.

#### Dimensional drawing:



#### Schematics:



**Installation only by a professional electrician according to the local regulations!**

**Technical specifications:**

Dimension (T x B x H)	38 x 38 x 26mm
Weight	65g
Color	Enclosure schwarz
Mounting	In flush-mounted boxes or cable ducts etc.
Environmental conditions	Operation: Temperature -20 ... 50°C, humidity < 85%rH Stock: Temperature -25 ... 65°C, humidity < 95%rH
Protection type / Protection class	IP64, EN-60529 / Appliance Class II
Connections	Cable 2 x 0.75mm <sup>2</sup> (AWG18), L = 150mm: Brown (BN): L, phase conductor Blue (BL): N, neutral conductor
Power supply / Frequency	100-240V~, 50-60Hz
Power consumption	3 Watts max
DALI output	Cable 2 x 0.75mm <sup>2</sup> (AWG18), L = 150mm: 2 x Black (BK), DALI BUS voltage 17 Volt Output current 100mA max (for approx. 50 Dali members)
Standards	Low Voltage Directive (LVD) 2014/35/EU, EN 60669-2-1 Electromagnetic compatibility (EMC) 2014/30/EU
CASAMBI Modul Standards	Bluetooth Wireless Control
Dimming and switching	Settable by the Casambi application (App Store, Google Play)
Applications	Dimming and switching of DALI devices, 1 channel or broadcast
Scope of delivery	1 DALI module

**Compatible devices:****Range:**

Casambi uses mesh network technology so each CBU-ASD acts also as a repeater.

Longer ranges can be achieved by using multiple Casambi units.

Range is highly dependent on the surrounding and obstacles, such as walls and building materials.

