



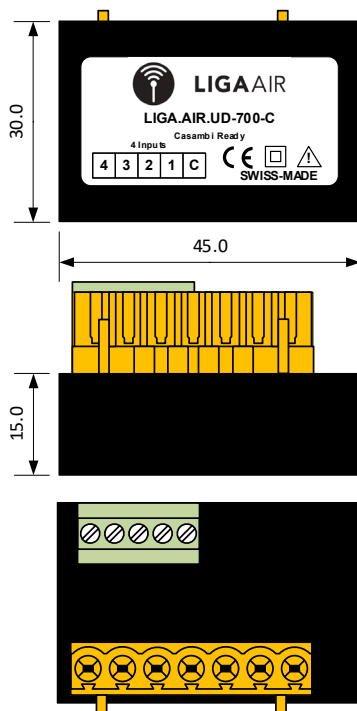
- Casambi adapter with 4 button inputs for the DIN universal dimmer UD-700-X2-DALI-C
- 2 universal dimming channels with 700W each, for flicker-free dimming of LED lamps.
- Automatic detection of the load and oscilloscope function
- Compact total dimensions for mounting the DIN rails in the distance 125mm.
- Just put into operation by Casambi.

The Casambi adapter LIGA.AIR.UD-700-C is simply plugged into the DIN Universal Dimmer UD-700-X2-DALI-C. This allows the dimming of the 2 universal channels with 700W each with the Casambi app.

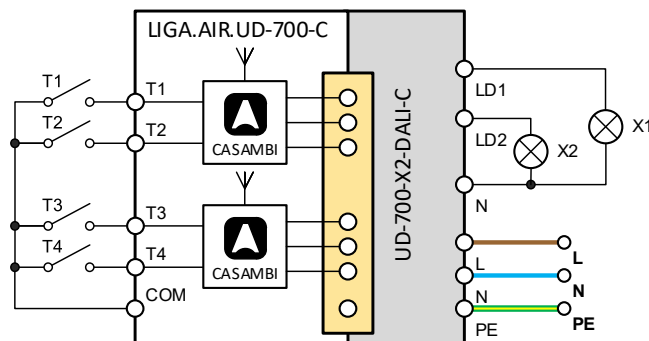
The module includes a detachable terminal block for 4 dry contact push buttons (T1-T4). The functions of the push buttons are freely programmable in the Casambi app.

The module is potted in a compact housing. The overall dimensions of the Universal Dimmer with the plugged in Casambi adapter allows the mounting of DIN rails at 125mm.

Dimensional drawing:



Schematics:



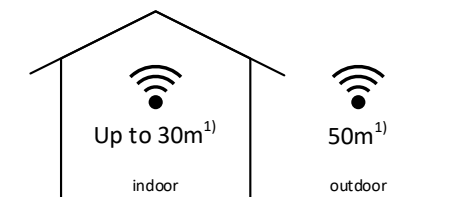
Installation only by a professional electrician according to the local regulations!

**Technical specifications:**

Dimension (T x B x H)	30 x 45 x 15mm
Weight	40g
Color	Potting enclosure, black
Mounting	As an adapter, plugged into the DIN universal dimmer UD-700-X2-DALI-C
Environmental conditions	Operation: Temperature -20 ... 50°C, humidity < 85%rH Stock: Temperature -25 ... 65°C, humidity < 95%rH
Protection type / class	IP30, EN-60529 / Appliance Class II
Connections	Push buttons contacts input (dry contact) (4 Inputs: C, T1-T4) detachable terminal block up to a conductor diameter of 1.5mm ² (AWG22).
Standards	Low Voltage Directive (LVD) 2014/35/EU, EN 60669-2-1 Electromagnetic compatibility (EMC) 2014/30/EU
CASAMBI Modul Standards	Bluetooth 4.0 Wireless Control
Switching times	Configurable with the Casambi application (App Store, Google Play)
Applications	Switching and Dimming on of loads e.g. lamps etc.
Scope of delivery	1 Pcs. CASAMBI-Adapter LIGA.AIR.UD-700-C

Compatible devices:**iPhone 4S** or later**iPad 3** or later**iPod Touch 5th gen** or later.**Android 4.4 KitKat** or later devices

produced after 2013 with full BT 4.0 support.

Range:

Casambi uses mesh network technology so each CBU-ASD acts also as a repeater.

Longer ranges can be achieved by using multiple Casambi units.

Range is highly dependent on the surrounding and obstacles, such as walls and building materials.

