



- **Smallest CASAMBI motion detector.**
- **Directly supplied with 230VAC**
- **Smallest power consumption**
- **Simply operates with CASAMBI.**

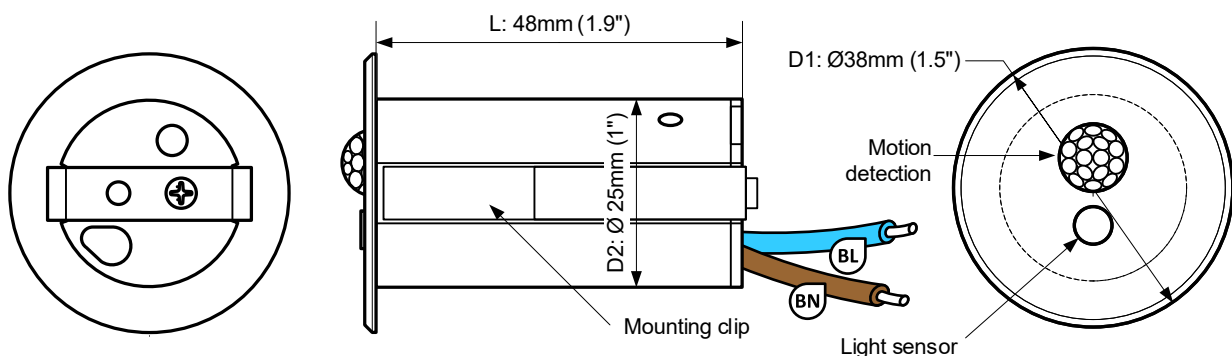
The LIGA.AIR.SP.240 is a CASAMBI motion detector that has a PIR and a light sensor for motion detection. With these sensors it is possible to automatically switch a light source, a group, whole light scenarios, animations or complete CASAMBI networks by measured motion and/or via freely selectable Lux values.

This completely implements Daylight Harvesting with different light levels during the day and synchronous control of the luminaires. In combination with CASAMBI, this motion sensor helps to achieve significant savings in energy consumption by switching on the light only when necessary. Follow-Me, Swarm-Control and active / standby solutions can also be implemented for office, industrial, retail, hospitality and home applications.

As a CASAMBI Ready product, it is directly integrated into the complete CASAMBI system. All configurations and runtimes are conveniently and quickly set using the CASAMBI App.

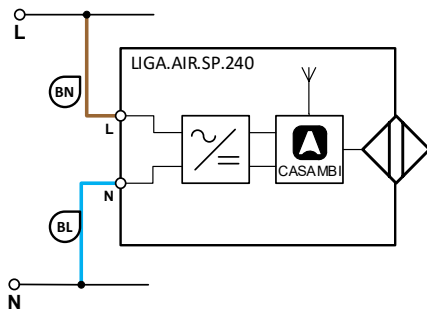
The extremely compact housing design allows easy installation (25mm hole) anywhere in the room, such as in hollow ceilings and walls, and requires only the direct supply to 230VAC.

Dimensional drawing:

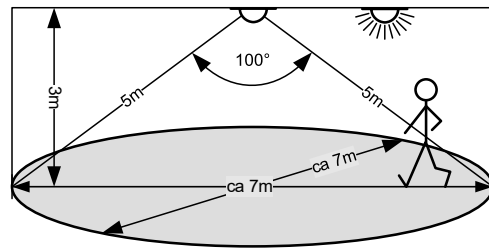




Schematics:



Motion detection range:



Technical specifications:

Dimensions (L x D1 x D2)	48mm (1.5") x Ø 38mm (1.9") x Ø 25mm (1")
Weight	25g (without packaging)
Enclosure colors	White (RAL9010), black (RAL9005) and gray (RAL7021)
Mounting	In mounting hole with Ø 25mm-27mm (1")
Environmental conditions	In operation: Temperature -20 ... 50°C, Humidity < 85%rH In storage, transport: Temperature -25 ... 65°C, Humidity < 95%rH
Protection type / Protection class	IP44 (Front) / Protection Class II
Connections	Flex 2 x 0.5 mm ² (AWG30), Approx. length 300mm: Brown: L, Pole conductor, Blue: N, Neutral conductor
Power supply / Frequency	240VAC, 50-60Hz
Power consumption / draw	max. 0.4W
Standards	EN 60669-2-1 / EN 61000-6-3 / EN 61000-6-2 WEEE and RoHS
Sensor measurement range / angle	max. 5m / 100° (horizontal)
Sensor detection zones	64 zones
Activation times / Twilight settings	Configurable using the Casambi app
Applications	Safety technology, movement detection, automatic light control, energy-saving etc.
Scope of delivery	1 motion sensor

Compatible devices:



Range:

CASAMBI uses mesh network technology so each CBU-ASD acts also as a repeater.

Longer ranges can be achieved by using multiple CASAMBI units.

Range is highly dependent on the surrounding and obstacles, such as walls and building materials.

