



- **Small 2 x 4 buttons module, directly powered by 100-240VAC**
- **Low power consumption, 0.6 Watt.**
- **Simply operates with Casambi.**
- **Additional inputs for 8 push buttons (dry contact)**

The button module LIGA.AIR.TAST8.240 is controlled by the Casambi application.

The module is directly connected to 240VAC and contains 2 independent CASAMBI button modules each with 4 inputs for dry contact push buttons.

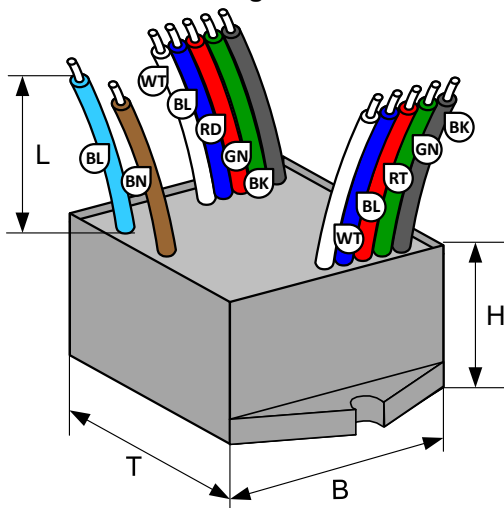
The functions of each button can be freely programmed in the Casambi network.

The entire module is encapsulated in a black polycarbonate housing with the dimensions of 44 x 44 x 23mm.

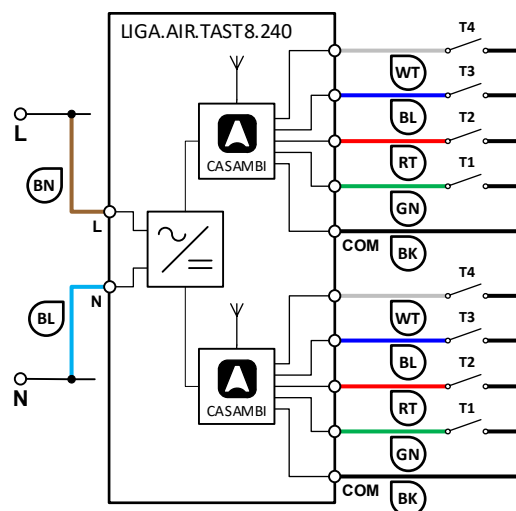
The attached mounting brackets for 3mm screws can be easily removed if necessary.

The extremely compact housing design allows a simple installation in flush-mounted boxes or in a cable duct.

Dimensional drawing:



Schematics:



Installation only by a professional electrician according to the local regulations!

**Technical specifications:**

Dimension (T x B x H)	44 x 44 x 23mm
Weight	53g
Color	Enclosure black PC
Mounting	In flush-mounted boxes or cable ducts etc.
Environmental conditions	Operation: Temperature -20 ... 50°C, humidity < 85%rH Stock: Temperature -25 ... 65°C, humidity < 95%rH
Protection type, Protection Class	IP64, EN-60529, Appliance Class II
Connections Power	Flexible 2x 1mm ² (AWG30), L = 150mm: Brown (BN): L, phase conductor, blue (BL): N, neutral conductor
Connections push buttons (dry contacts)	2x Flexible flat ribbon cable 5x 0.5mm ² (AWG20), L = 150mm: Green (GN): T1, red (RT): T2, blue (BL): T3, white (WT): T4 black (BK): COM
Power supply, Frequency	100-240VAC, 50-60Hz
Power consumption	0.6 Watts max
Standards	Low Voltage Directive (LVD) 2014/35/EU, EN 60669-2-1 Electromagnetic compatibility (EMC) 2014/30/EU
CASAMBI Modul Standards	Bluetooth Wireless Control
Dimming and switching	Configurable with the Casambi application (App Store, Google Play)
Applications	Switching and dimming of loads e.g. lamps Dimming of DYN Color etc.
Scope of delivery	1 button module

Compatible devices:**Range:**

Casambi uses mesh network technology so each CBU-ASD acts also as a repeater.

Longer ranges can be achieved by using multiple Casambi units.

Range is highly dependent on the surrounding and obstacles, such as walls and building materials.

